

PREMIUM

NEW

AISI 304 stainless steel

ABS shock proof drum

INDUSTRIAL HOSE REEL

ABS SHOCK PROOF DRUM

ARM AND BRACKET IN AISI 304 STAINLESS STEEL



HOSE REEL ADVANTAGES

The hose reels are a handy solution for problems of space

With the hose reel, hose rewinding is quick and safe, for an orderly workplace

The hose reel safeguards against wear and possible breakage of the hose themselves

Operators work in total security in a clean and tidy place

NO DISORDER



NO BREAK



NO ACCIDENT



CHOOSING A HOSE REEL

When choosing a hose reel, it is important to consider the following aspects:

1 / TYPE OF FLUID:

To be delivered

2 / PRESSURE:

Of the fluid to be delivered link to the feed pressure

3 / HOSE LENGTH:

Which is the distance between the hose reel and the place where the fluid is to be delivered?

4 / HOSE DIAMETER

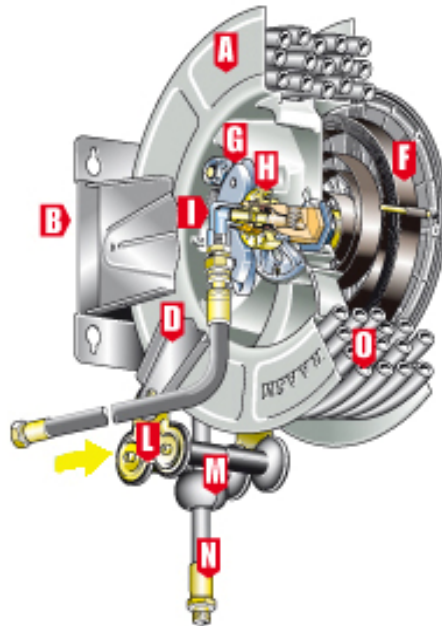
On which the capacity of the hose itself depends

5 / FIXED OR SWIVELLING

Hose reels supplied as fixed.

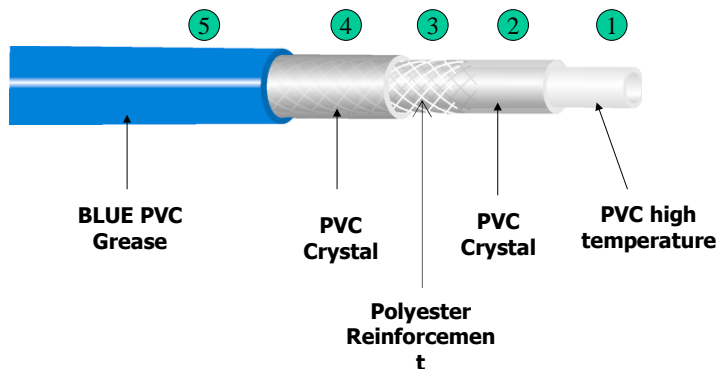
On request

HOSE REEL FEATURES



- A** Hose reel drum: Sturdy and Practical in shock resistant ABS.
- B** Arms and Bracket: AISI 304 Stainless Steel.
- D** Adjustable arm to favour hose extraction according to hose reel installation
- F** Fully enclosed and protected constant-force automatic rewinding spring
- G** Automatic stopping system allows the hose to be locked at the required length
- H** Drum support bushings in brass alloy, self-lubrication, effective and corrosion resistant
- I** Fluid passage swivel joint in AISI 304 Stainless Steel with Viton seals
- L** Self-lubrication hose guide rollers: wide multi-way opening
- M** Adjustable hose stop
- N** Quick coupler in Brass "KITCHEN type"
- O** Hose reel Capacity with our blue hose: 10 m – 15 m – 20 m

THERMOCLEAN AL 20 FEATURES



Evolution brought by the conception bi-steps soul and covering with regard to the old conception mono-step:

A flexibility improved thanks to a thickness of internal wall adjusted (white coat which brings the temperature resistance) and the introduction of a crystal step more flexible.

A chemical resistance optimized thanks to the concentration of the agents defenders in the external skin (blue step) instead of dispersal on all the thickness of the covering

Possibility to connect 10m, 15m or 20m

Marking : THERMOCLEAN AL 20 20 bar / 70°C [year of fabrication] [batch number]

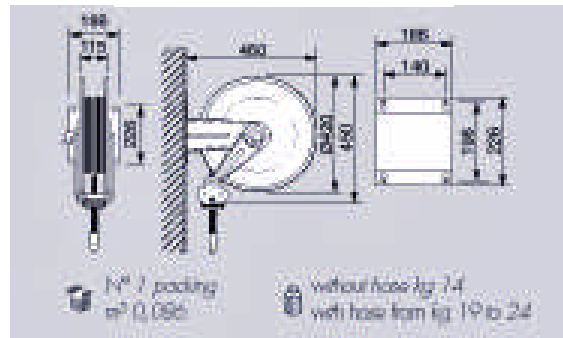
12	±0.4	20	±0.4	4	255	100	60	33	20	108	



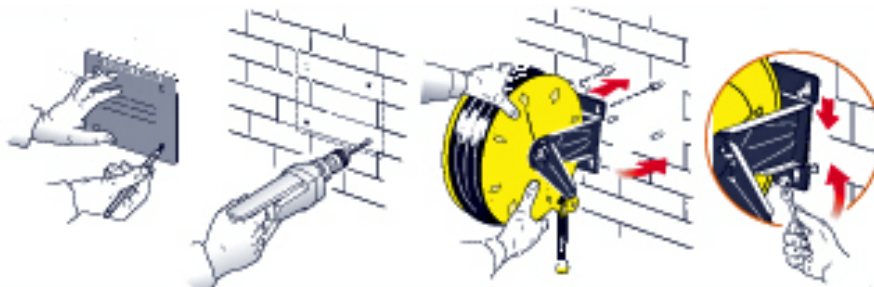
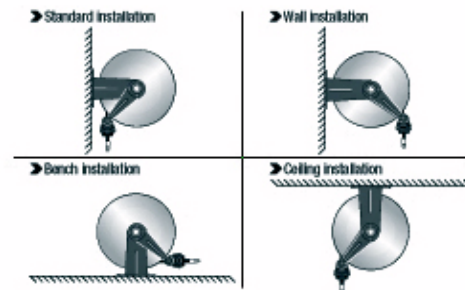
INSTALLATION



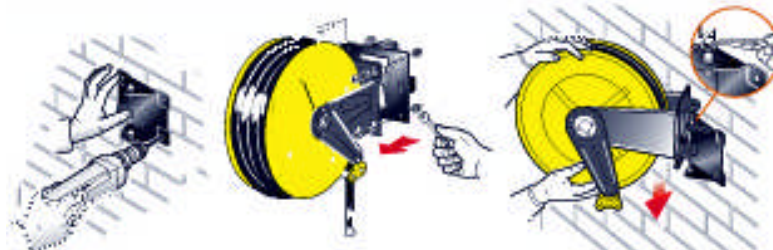
Dimensions



Exemple of installation



The **solid end compact** fixed bracket, included with the hose reel, is provided with four slotted mounting holes for **easy and safe installation**. Using the template supplied with the hose reel it's easier to mark plugs holes for hose reel



The **Quick Coupling adjustable support** facilitates hose reel installation and enable 40° rotation to the right or left in fixed positioned at 0° by means of clamping with two screws is **available on request**

PREMIUM